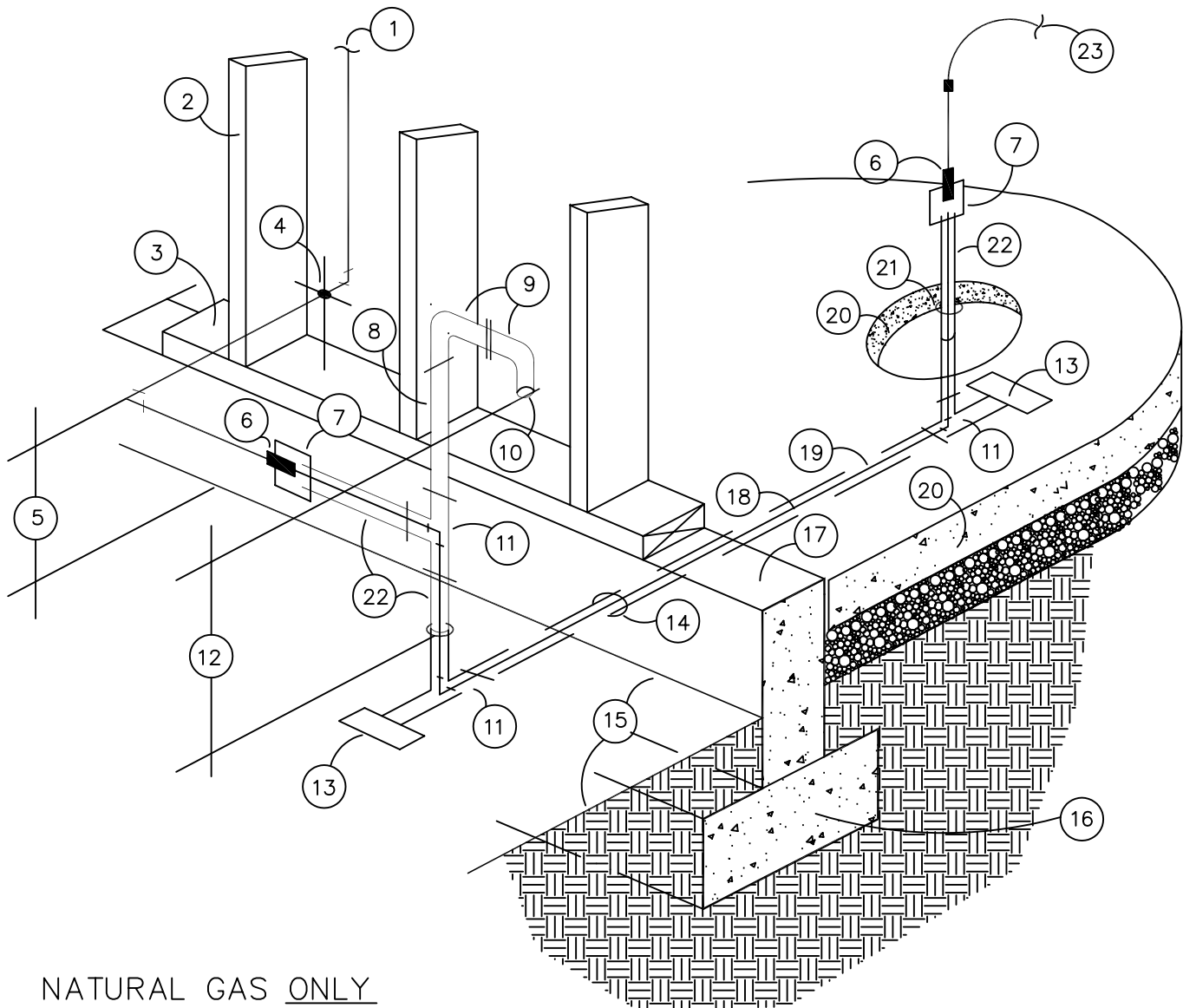


RESIDENTIAL KITCHEN ISLAND COOKING COUNTER

UNDERSLAB VENTED GAS PIPING SLEEVE INSTALLATION.



NATURAL GAS ONLY

1. GAS PIPING IN EXTERIOR WALL CAVITY FROM ATTIC SPACE
2. EXTERIOR WALL STUDS
3. TREATED BASE PLATE
4. CAULK GAS PIPE PENETRATION THROUGH EXTERIOR WALL FINISH MATERIAL.
5. 8" MINIMUM HEIGHT FROM FINISH GRADE TO THE EXTERIOR WALL PENETRATION.
6. STEEL WELL CASING ADAPTER. WELD BOTH ENDS OF ADAPTER TO GAS PIPING. OMIT WITH SMALLER BAND-SEAL COUPLINGS.
7. PLASTIC TO STEEL BAND-SEAL COUPLING.
8. PLASTIC (SCHD.40 MIN.) VENT PIPING (1" MINIMUM VENT OPENING)
9. PLASTIC 90 DEGREE ELBOW.
10. OPEN VENT.
11. PLASTIC "T" COUPLING
12. 18" MINIMUM HEIGHT FROM FINISH GRADE TO VENT OPENING.
13. PLASTIC ENDCAP OR PLUG.
14. CAULK PLASTIC SLEEVE PENETRATION THROUGH CONCRETE STEM WALL.
15. FINISH GRADE
16. CONCRETE FOOTING
17. CONCRETE STEM WALL
18. GAS PIPING SLEEVED UNDER SLAB TO KITCHEN COOK ISLAND.
19. PLASTIC (SCHD.40 MIN.) VENT SLEEVE UNDER SLAB TO KITCHEN COOK ISLAND MIN. TWO PIPE SIZE LARGER THAN GAS PIPING.
20. CONCRETE FLOOR SLAB.
21. CAULK PLASTIC SLEEVE PENETRATION THROUGH CONCRETE FLOOR SLAB.
22. PLASTIC (SCHD.40 MIN.) VENT SLEEVE MIN. TWO PIPE SIZE LARGER THAN GAS PIPING.
23. ACCESSIBLE CONNECTION TO KITCHEN ISLAND COOKING APPLIANCE(S)