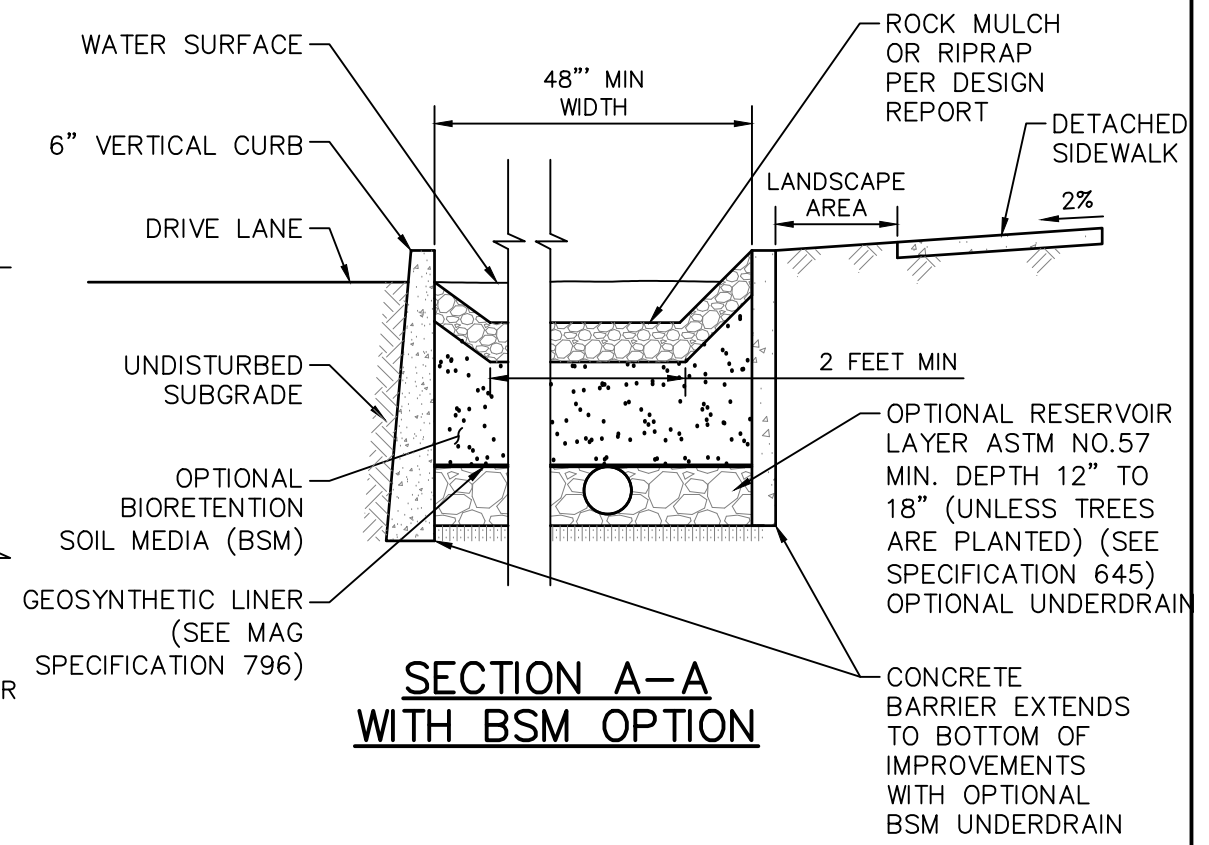
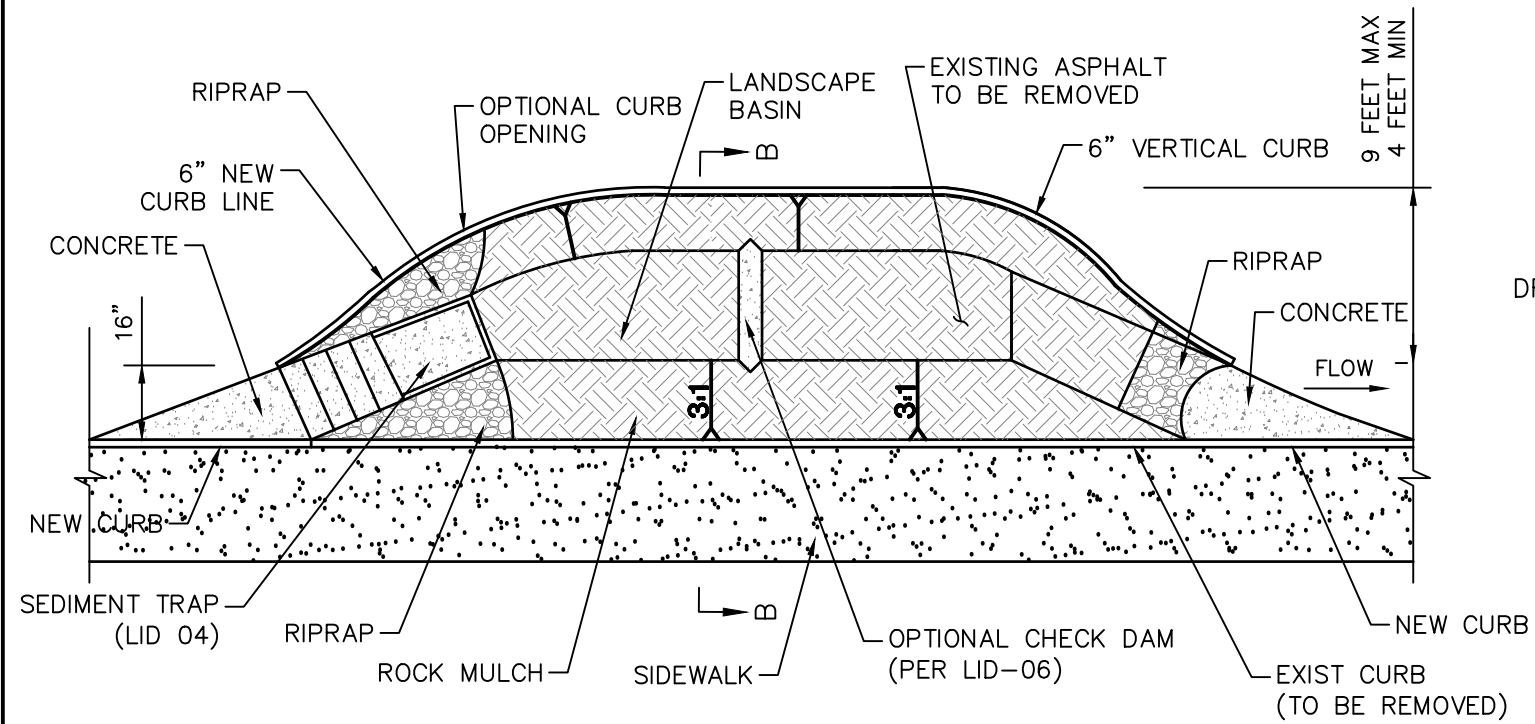


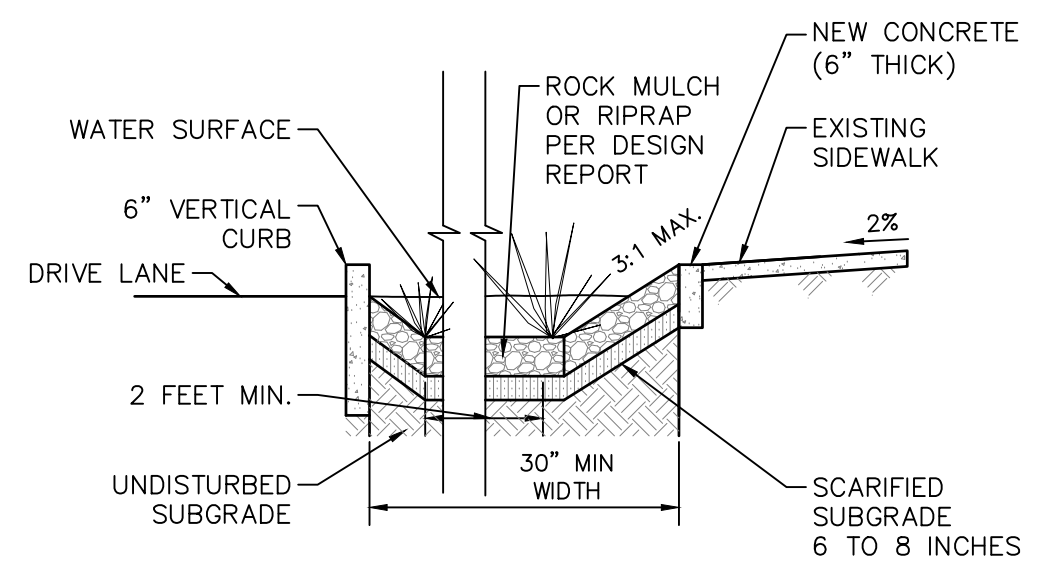
TYPE 1 – DETACHED SIDEWALK



SECTION A-A WITH BSM OPTION



TYPE 2 – SIDEWALK ATTACHED TO CURB



SECTION B-B W/O BSM

DETAIL NO. LID-08	STANDARD DETAIL ENGLISH	CURB EXTENSIONS	REVISED 01-29-2019	DETAIL NO. LID-08
-----------------------------	------------------------------------	------------------------	-----------------------	-----------------------------