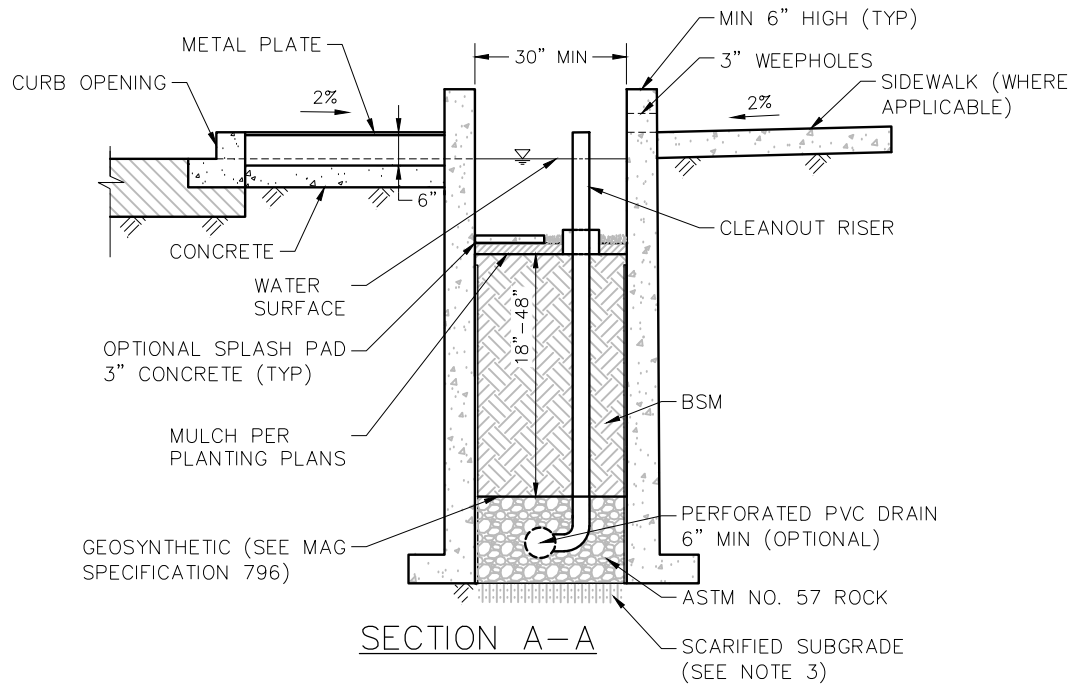
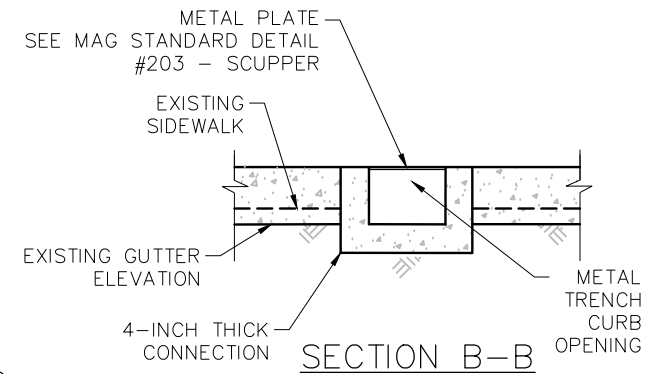


PLAN VIEW



SECTION A-A



SECTION B-B

NOTES:

1. MIN. WIDTH IS 30 INCHES.
2. MIN. LENGTH IS 5 FEET.
3. SCARIFY SUBGRADE 4"-6" MIN. BEFORE INSTALLATION.
4. OUTLET SHOULD BE SLIGHTLY LOWER THAN INLET.
5. 3-INCH WEEP HOLES GRADED TOWARD PLANTER.

DETAIL NO.  
**LID-09**

**STANDARD DETAIL  
ENGLISH**

**BIORETENTION PLANTERS**

REVISED  
01-29-2019

DETAIL NO.  
**LID-09**